
MECHANICAL DOOR LOCKS



BJÖRKBODA LÅS OY AB – LONG TRADITIONS, MODERN PRODUCTS

The Björkboda factory has long traditions. It was established already in 1732 and has manufactured locks since 1887.

Björkboda Lås Oy Ab is today the leading producer of interior door locks in Scandinavia. Our extensive range of products also includes ABLOY® cylinder locks for both main and interior doors, ABLOY® gun cabinets as well as high security BODA lever locks for doors.

Our aim is to develop, market and manufacture innovative quality lock cases both for our present and our new expanding markets.

We are proud of our dedicated skilled workforce and modern production methods. We have partners throughout Europe, and exports account for approximately half of our turnover.

Björkboda Lås Oy Ab's quality system is certified by Det Norske Veritas and conforms both to the SFS-ISO 9001 standard and to SFS-ISO 14001 environmental standard.



CONTENTS

Applications	2
Finishes	2
Locks with automatic deadlocking	2
Preventing use of the snib	2
Handing	3
Cylinders	3
Dimensions & mortises	3
Microswitch locks	3

Locks and latches for interior doors

414	4	4290	7
4249	4	4291	8
4238	4	4240/4244	8
2020	5	4241	8
2014	5	4261	9
2011	5	4281	9
2016	6	4242	9
2018	6	4250	10
4260	6	4251	10
4570	7	4271	10
9456	7	4252	11

Lock cases for wooden doors / steel doors

4262	11	LC 206	15
4230	11	LC 200	15
4231	12	LC 202	15
LC 100	12	LC 203	16
4190	12	LC 204/4180	16
4190T	13	LC 205	16
4193	13	LC 208	17
4195	13	LC 210	17
4195T	14	4865	17
4197	14	LC 211	18
4960	14		

Key operated lock cases for wooden doors / steel doors

4181	18	4232	19
451S	18	428	19
4272	19	2928	20

Automatic deadlocks for narrow stile doors

LC 300	20	LC 303	21
LC 301	20	LC 305	21
LC 302	21		

Key operated deadlocks for narrow stile doors

LC 306	22	LC 307	22
--------------	----	--------------	----

Locks for firearms cabinets and safes

2925	22	2926	23
------------	----	------------	----

Installation accessories

Transfer device 518	23
Security cover plates	23
Front plates	23
Striker plates	24
Cover front plates	28
Cover plates	28
Keys	28
Mortises	29

APPLICATIONS

When choosing a lock case for a particular purpose, you should pay attention to the demands for:

- burglary protection
- insurance company requirements
- fire resistance
- emergency exit safety
- operational safety
- durability
- mortise and fittings standards
- corrosion protection

The most common applications and the lock cases used:

WD = Wooden Door

NSD = Narrow Stile Door

SD = Steel Door

Interior doors

Houses: 414, 2014, 2020, 4231, 4240, 4250

Public buildings/WD: 4250, 4290, LC 208

Public buildings/NSD: 4920

WC/bathrooms

Houses: 414, 2014, 4241, 4261, 4251, 4271, 4281

Public buildings: 4251, 4291, LC 200

Lockable interior doors

Houses: 2011, 2016, 2018, 4252, 4260, 4570, 9456

Public buildings/WD: 4190, 4252, LC 200

Public buildings/NSD: LC 305

Exterior doors

Houses/WD/SD: 4190, LC 200, LC 210, 451 S

Houses/NSD/SD: LC 302, LC 305

Public buildings/WD/SD: 4190, 4190 T, 4195, 4195 T, LC 200, LC 210

Public buildings/NSD/SD: LC 302, LC 305

Additional locking

Wooden doors: 428, LC 211, 4232

Balcony doors: 2928

Narrow stile doors: LC 306, LC 307

Fire doors

Wooden doors: 4190T, 4197, LC206, LC 203, LC 200, LC 202, LC 208, LC 210, 4262, 4272

Narrow stile: LC 300, LC 305

(When in doubt, please contact your national authorities)

Emergency exits

Wooden doors: 4193, LC 203

Narrow stile: LC 301

FINISHES

ST/CR	Chrome plated steel.
ST/ZN	Zinc plated steel.
ST/EGL	Powder coated steel, brass colour.
ST/EGR	Powder coated steel, grey colour.
ST/WHITE	Powder coated steel, white colour.
ZNALCU/EGL	Powder coated zamac, brass colour.
ST/YECRLQ	Yellow chromated steel + varnish.
PA/BLACK	Black polyamide.
PA/WHITE	White polyamide.
Special finishes:	E.g. satin chrome plated, brass plated, special powder colours (all made only to order).

LOCKS WITH AUTOMATIC DEADLOCKING

Many ABLOY® lock cases are equipped with an automatic deadlocking, controlled by a snib in the front plate.

In the automatic deadlocking mode, the bolt throw is increased from 14 mm to 20 mm.

In this mode it is not possible to retract the bolt other than using the cylinder or thumbturn and consequently a lock case with automatic deadlocking must always be fitted with a cylinder or thumbturn!

PREVENTING USE OF THE SNIB

The lock case for narrow stile doors, LC 300, LC 301, LC 302 and LC 305 are fitted with a patented feature to prevent unauthorized use of the snib.

The snib can only be moved when the key or thumbturn are turned.

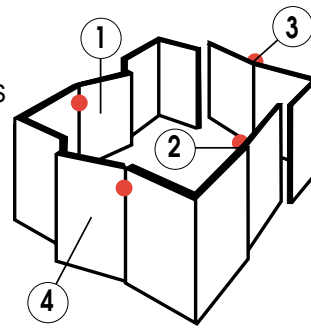
HANDING

Please specify the handing when ordering a lock case.

A simple way to determine if the door (and lock) is left or right handed is to look at the door from the hinge side.

Left hand

(1 & 3)
The hinges are on the left side.



Right hand

(2 & 4)
The hinges are on the right side.

CYLINDERS

The cylinder to be used with a lock case is specified for each product. We have used the following abbreviations:

	CYLINDER AND FITTINGS	KEY TYPES
ABLOY® FIN	Finnish range	ABLOY® CLASSIC/PROFILE/EXEC
ABLOY® D	Finnish range (DISKLOCK PRO)	ABLOY® DISKLOCK PRO
SCAND	Scandinavian range oval/round	ABLOY® DISKLOCK PRO, ASSA, TrioVing o.e.
Euro DIN	Europrofile DIN range	ABLOY® DISKLOCK PRO, ASSA, FAB, TrioVing o.e.

Please contact the importer or your local dealer for more detailed information.

DIMENSIONS & MORTISES

The drawings in this catalogue are available at www.boda.fi

MICROSWITCH LOCKS

Some lock cases can be equipped with a micro-switch. The product code has the ending "X".

The microswitch in the various lock cases changes its status as mentioned below:

4190X, 4193X, 4195X. The switch changes the status when the latchbolt leaves its "day" position, i.e. the bolt protrudes abt. 15 mm or more.

4181X. The switch changes the status when the deadbolt protrudes abt. 14 mm or more. **NB.** The key cannot be removed from the cylinder, unless the bolt has reached its end position (in or out).

4956X (35 mm back set). The switch changes the status when the hookbolt protrudes abt. 5 mm or more. In lock cases with other backset the protrusion is correspondingly bigger.

LC 210X and LC 211X. When closing the door, the switch changes the status when the cylinder follower starts to rotate. When opening the door, the switch changes its status only when the deadbolt is already completely withdrawn in the case.

LC 300-301-302-305X. The switch changes the status when the latchbolt protrudes abt. 9 mm or more.

428X. The switch changes the status during the last 1/3 turn of the key. **NB.** The key cannot be removed from the cylinder, unless the bolt has reached its end position (in or out).

451SX. The switch changes the status during the last 1/4 turn of the key. **NB.** The key cannot be removed from the cylinder, unless the bolt has reached its end position (in or out).

Drilling, installation and fitting of the microswitch lock cases are carried out in the same way as of the corresponding mechanical lock case.

Protective voltage must be used with the microswitch lock cases.

Maximum current 1A

Maximum voltage 60V DC, 40V AC

Maximum power 24 W

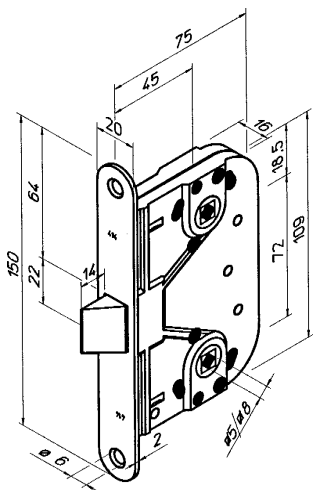
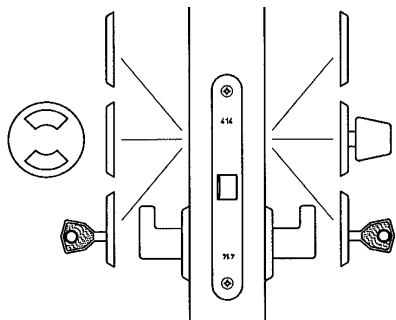
A deadlock with a microswitch can be used to switch on and off a burglar alarm system.

NB. The microswitch lock cases are not supplied with striker plates. If you want to use a microswitch bolt chamber with 4190X, 4193X or 4195X we recommend you to use striker plates 4692 or 4693.

ABLOY 414

Symmetrical latch. Lock handing is changed by turning the lock up side down.

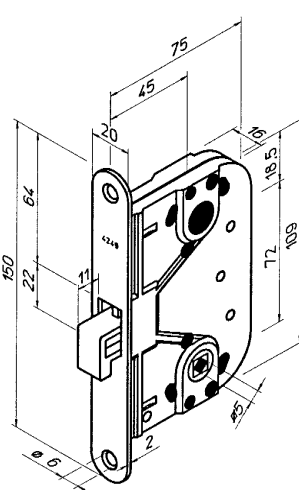
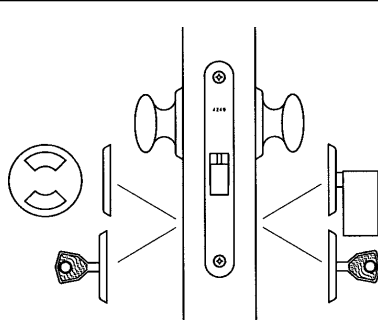
The latch can be fitted with either a lever handle or with a lever handle and toilet thumbturn/key.



Striker plate	0045, 0068 Other striker plates also suitable, please see page 24.
Finish	ST/EGL, ST/ZN
Mortise standard	SFS 5210 SS 81 73 82

ABLOY 4249

Lock case for lightweight sliding and folding doors. The hookbolt can be locked either using a key or toilet thumbturn.

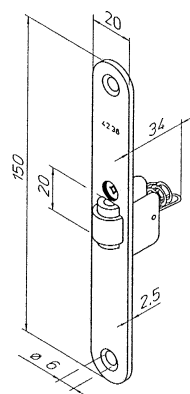
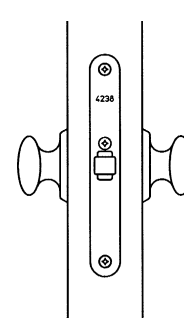


Striker plate	4662
Finish	ST/EGL
Mortise standard	SFS 5210

ABLOY 4238

Symmetrical roller latch. The latch bolt can be adjusted by means of the screw in the front plate. The door must have a handle.

For reasons of security, a special striker plate is used in conjunction with the roller latch.



Striker plate	0046, 0078
Finish	ZNALCU/EGL
Mortise standard	SFS 5210 SS 81 73 82

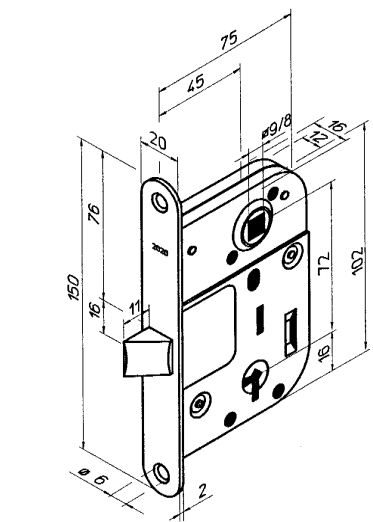
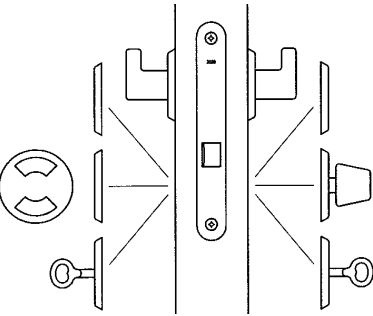
ABLOY 2020

Lock for interior and toilet doors. It has one latch bolt which can be dead locked with either a key or toilet thumbturn.

Lock handing can easily be changed by pulling out the latchbolt and turning it 180° clockwise.

The lock can be used with a lever handle only or with both a lever handle and key or toilet thumbturn.

The lock fits into the same mortise as e.g. ASSA FAS 404 and 404T.



Striker plate 0045, 0068
Other striker plates also suitable, please see page 24.

Finish ST/EGL

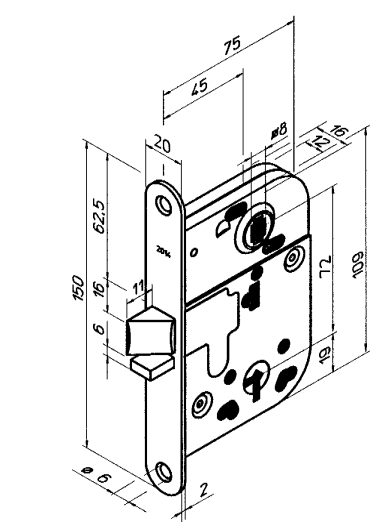
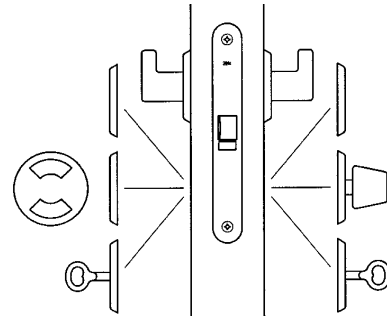
ABLOY 2014

Lock for interior and toilet doors. It can be locked with either a key or toilet thumbturn.

Lock handing can easily be changed by pulling out the latchbolt and turning it 180° clockwise.

The lock can be fitted with either a lever handle or with a lever handle and toilet thumbturn/key.

The lock can also be equipped with DIN standard fittings. See page 31.



Striker plate 0045, 0068
Other striker plates also suitable, please see page 24.

Finish ST/EGL, ST/ZN

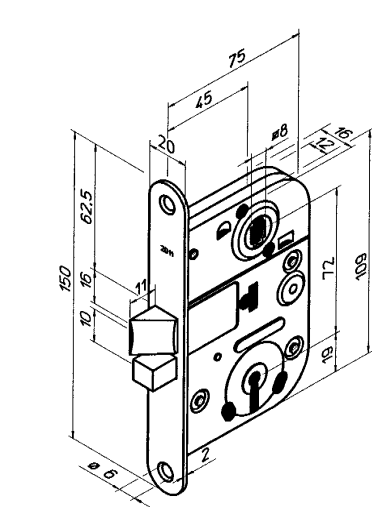
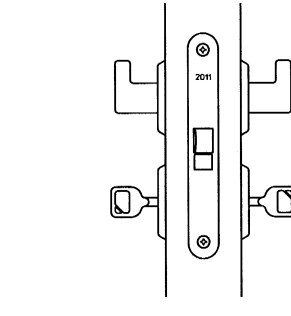
Mortise standard SFS 5210
SS 81 73 82

ABLOY 2011

Lever lock for interior doors. The lock features 5 levers to give 250 different key combinations.

Lock handing can easily be changed by pulling out the latchbolt and turning it 180° clockwise.

The lock is fitted with lever handles and an escutcheon.



Striker plate 0045, 0068
Other striker plates also suitable, please see page 24.

Finish ST/EGL, ST/ZN

Mortise standard SFS 5210
SS 81 73 82

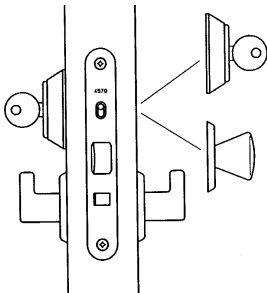
ABLOY 4570

Cylinder mortise lock with automatic deadlocking latchbolt for interior doors. Deadlocking is controlled by the snib in the front plate.

Snib position:

UP = Deadlocking, latchbolt protrudes 20 mm. The lock can be opened only with a key or thumbturn.

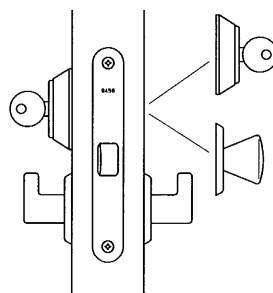
DOWN = Latchbolt protrudes 14 mm. The lock can also be opened with lever handles.



ABLOY 9456

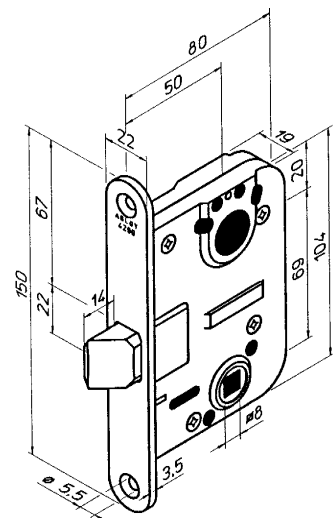
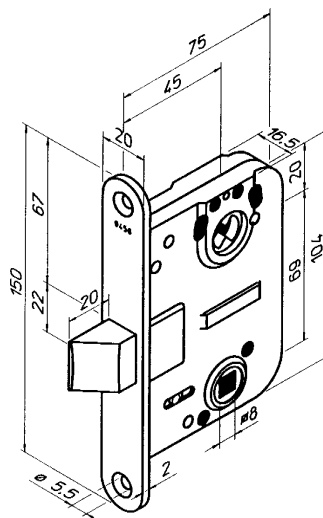
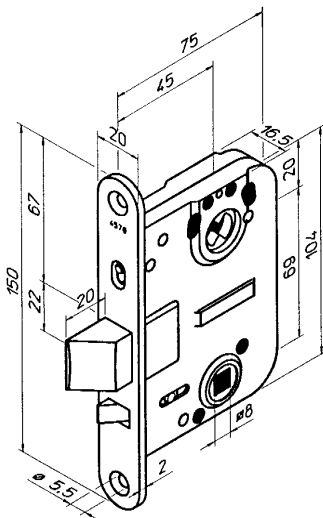
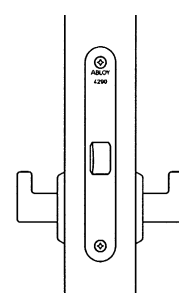
Cylinder lock case for interior doors. A turn of the key or thumbturn throws the latchbolt 20 mm and deadlocks.

The lock is opened by turning the key or thumbturn anti-clockwise thereby allowing the latchbolt to protrude 14 mm for day mode. The door can then be opened using the lever handle.



ABLOY 4290

Mortise lock with lever handle function. Recommended for public buildings.



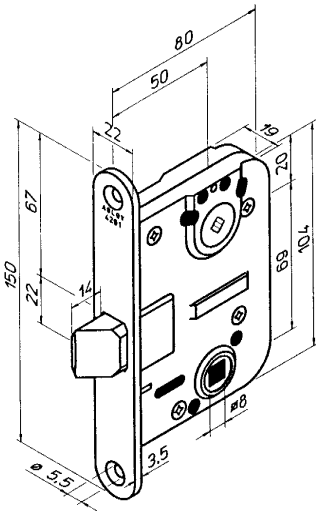
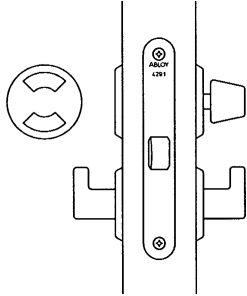
Striker plate	0045, 0068 Other striker plates also suitable, please see page 24.
Finish	ST/CR Cylinder SCAND Mortise SFS 5210 standard SS 81 73 82 See page 30

Striker plate	0045, 0068 Other striker plates also suitable, please see page 24.
Finish	ST/CR Cylinder SCAND Mortise SFS 5210 standard SS 81 73 82 See page 30

Striker plate	4690, 4691
Finish	ST/CR
Mortise standard	SFS 5209 See page 29

ABLOY 4291

Mortise lock for toilet doors in public buildings. The lock is suitable for use with lever handles and toilet thumbturn.



Striker plate 4690, 4691
 Finish ST/CR
 Mortise standard See page 31

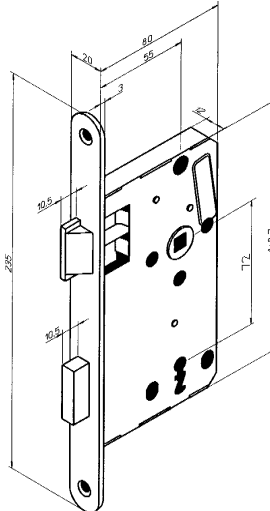
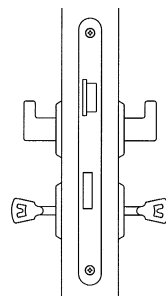
ABLOY 4240 / ABLOY 4244

Lock for interior doors. Dimensions comply with the DIN 18251 standard.

The latch is controlled by lever handles and the deadbolt by the key. The deadbolt is protruding 10 mm.

ABLOY 4244

The lock is equipped with plastic latch and deadbolt.



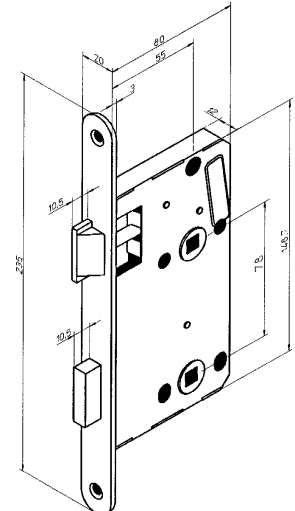
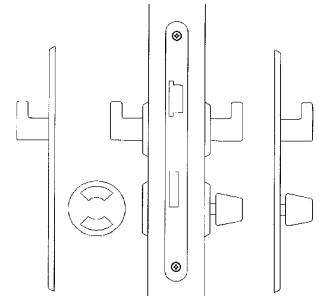
Striker plate 4669, 0029
 Finish ST/EGL
 ST/EGR
 Mortise standard See page 30

ABLOY 4241

Lock for toilet doors. Dimensions comply with the DIN 18251 standard.

The latch is controlled by lever handles and the deadbolt by the key. The deadbolt is protruding 10 mm.

Compatible with 8 mm thumbturn spindle.



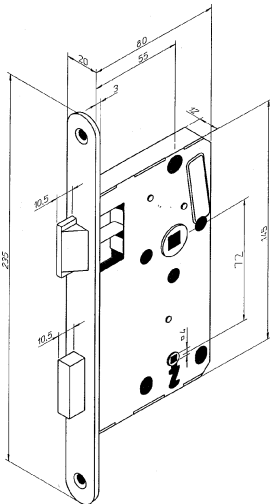
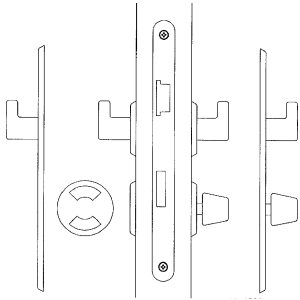
Striker plate 4669, 0029
 Finish ST/EGL
 ST/EGR
 Mortise standard See page 30

ABLOY 4261

Lock for toilet doors.
Dimensions comply with the DIN 18251 standard.

The latch is controlled by lever handles and the deadbolt by the key. The deadbolt is protruding 10 mm.

Compatible with 4 mm thumbturn spindle.



Striker plate 4669, 0029

Finish ST/EGL
ST/EGR

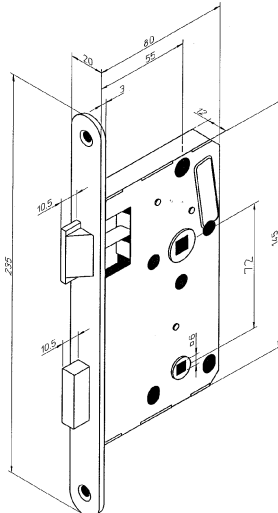
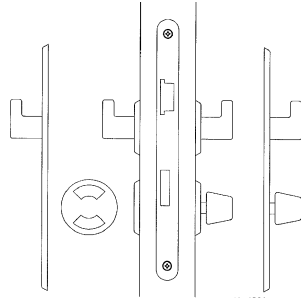
Mortise standard See page 30

ABLOY 4281

Lock for toilet doors.
Dimensions comply with the DIN 18251 standard.

The latch is controlled by lever handles and the deadbolt by the key. The deadbolt is protruding 10 mm.

Compatible with 6 mm thumbturn spindle.



Striker plate 4669, 0029

Finish ST/EGL
ST/EGR

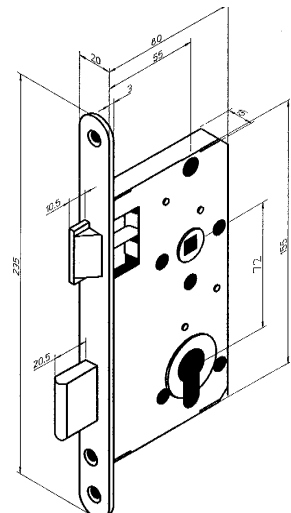
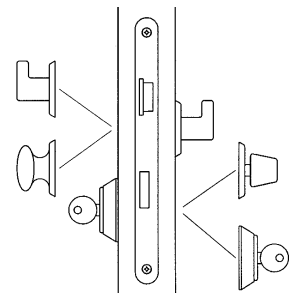
Mortise standard See page 30

ABLOY 4242

Lock for DIN-Eurocylinder.
Dimensions comply with the DIN 18251 standard.

The latch is controlled by lever handles and the deadbolt by a DIN-Eurocylinder. The deadbolt is protruding 20 mm.

The lock can be used with DIN escutcheons and long plates.



Striker plate 4669, 0029

Finish ST/EGL
ST/EGR

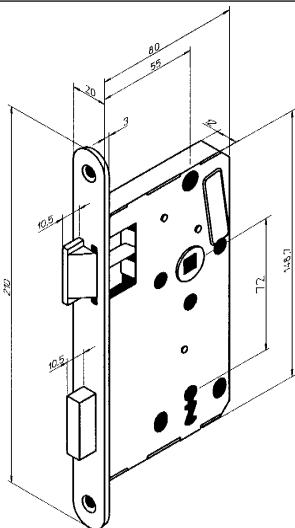
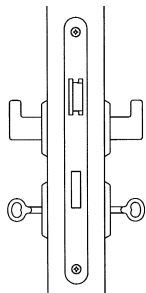
Cylinder Euro DIN

Mortise standard See page 30

ABLOY 4250

Symmetric lock for interior doors. The handing of the lock can easily be changed by turning the latch 180°.

The latch is controlled by lever handles and the deadbolt by the key. The deadbolt is protruding 10 mm.

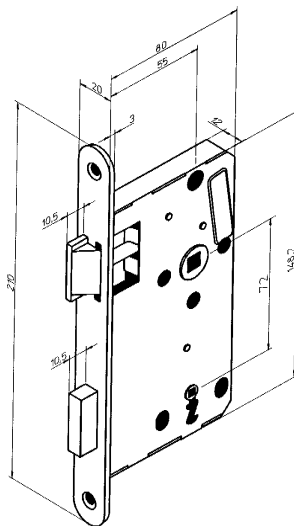
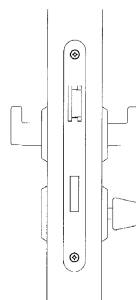


Striker plate 4669, 0029
 Finish ST/EGL
 ST/EGR
 Mortise standard See page 31

ABLOY 4251

Symmetric lock for toilet doors. The handing of the lock can easily be changed by turning the latch 180°.

The latch is controlled by lever handles and the deadbolt by a toilet thumbturn (4 mm spindle). The deadbolt is protruding 10 mm.

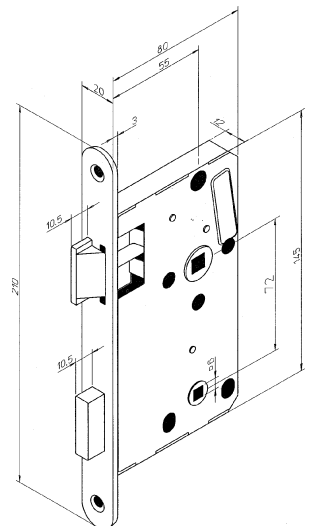
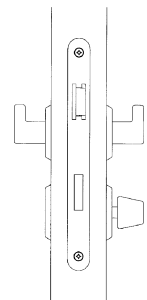


Striker plate 4669, 0029
 Finish ST/EGL
 ST/EGR
 Mortise standard SS 817383
 See page 29

ABLOY 4271

Symmetric lock for toilet doors. The handing of the lock can easily be changed by turning the latch 180°.

The latch is controlled by lever handles and the deadbolt by a toilet thumbturn (6 mm spindle). The deadbolt is protruding 10 mm.

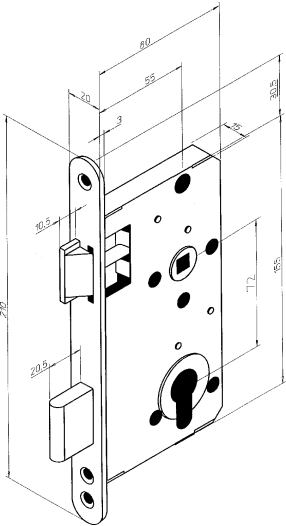
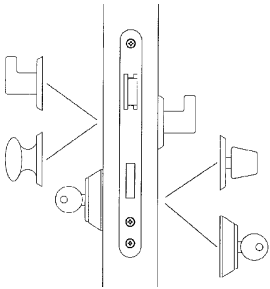


Striker plate 4669, 0029
 Finish ST/EGL
 ST/EGR
 Mortise standard SS 817383
 See page 29

ABLOY 4252

Symmetric lock for interior doors. The handing of the lock can easily be changed by turning the latch 180°.

The latch is controlled by lever handles and the deadbolt by a DIN-Eurocylinder. The deadbolt is protruding 20 mm.

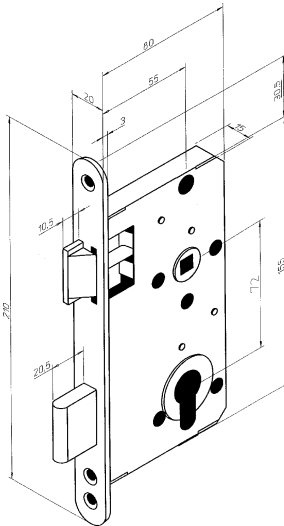
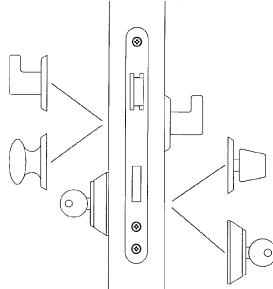


Striker plate	4669, 0029
Finish Cylinder	ST/EGL, ST/EGR Euro DIN
Mortise standard	See page 31

ABLOY 4262

Symmetric lock for fire doors. The handing of the lock can easily be changed by turning the latch 180°.

The latch is controlled by lever handles and the deadbolt by a DIN-Eurocylinder. The deadbolt is protruding 20 mm.



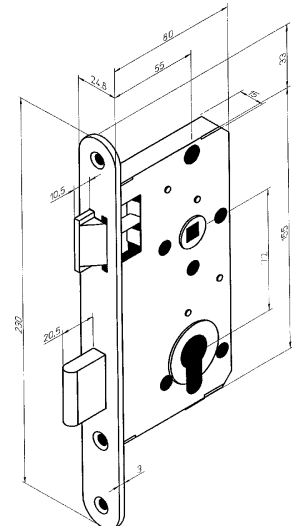
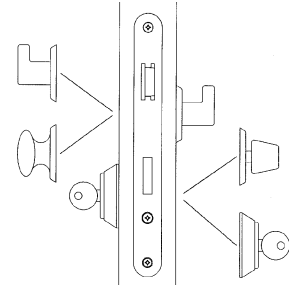
Striker plate	4669, 0029
Finish Cylinder	ST/EGL/ST/CR Euro DIN
Mortise standard	See page 31

ABLOY 4230

Symmetric lock for exterior doors. The handing of the lock can easily be changed by turning the latch 180°.

The latch is controlled by lever handles and the deadbolt by a DIN-Eurocylinder. The deadbolt is protruding 20 mm.

Compatible with similar Gost-norm products.



Striker plate	4669, 0029
Finish Cylinder	ST/CR Euro DIN
Mortise standard	See page 31

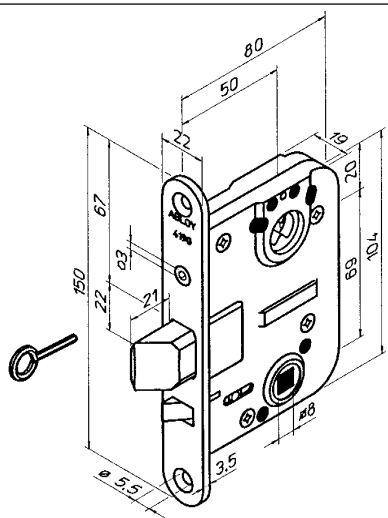
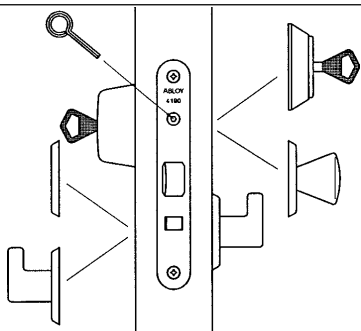
ABLOY 4190T

Cylinder lock case with automatic deadlocking latchbolt. Deadlocking function is controlled by the insertion of an Allen key in the front plate.

Deadlocking function:

TURN CLOCKWISE = Deadlocking, latchbolt protrudes 21 mm. The lock can be opened only with a key or thumbturn.

TURN ANTICLOCKWISE = Latchbolt protrudes 14 mm. The lock can also be opened with the lever handle.



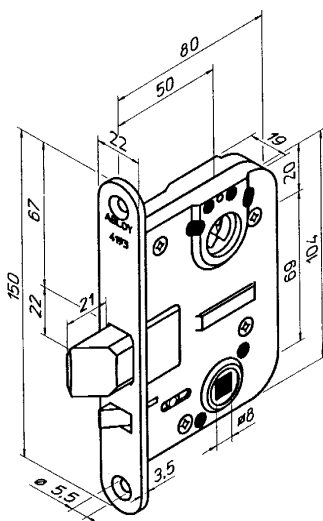
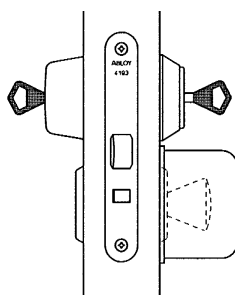
ABLOY 4193

Cylinder lock case for emergency exits. The latchbolt deadlocks automatically when the door is closed protruding 21 mm.

The lock case is suited for use with a double cylinder and emergency thumbturn.

The bolt is opened with either the key or the emergency thumbturn.

Microswitch version see page 3.



ABLOY 4195

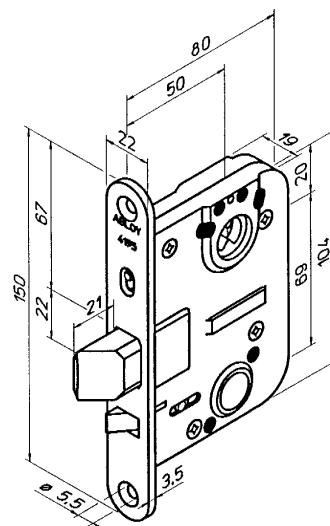
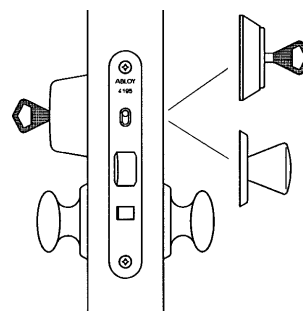
Cylinder lock case with automatic deadlocking latchbolt. The latchbolt can be held within the lock case and deadlocking is controlled by the snib in the front plate.

Snib position:

UP = Deadlocking, latchbolt protrudes 21 mm. The lock can be opened only with key or thumbturn.

DOWN = Latchbolt is locked in the lock case. The door is kept closed using the door closer.

Microswitch version see page 3.



Striker plate	4690, 4691
Finish	ST/CR
Cylinder	ABLOY® FIN ABLOY® D
Mortise standard	SFS 5209 See page 29

Striker plate	4690, 4691
Finish	ST/CR
Cylinder	ABLOY® FIN ABLOY® D
Mortise standard	SFS 5209 See page 29

Striker plate	4690, 4691
Finish	ST/CR ST/YECRLQ
Cylinder	ABLOY® FIN ABLOY® D
Mortise standard	SFS 5209 See page 29

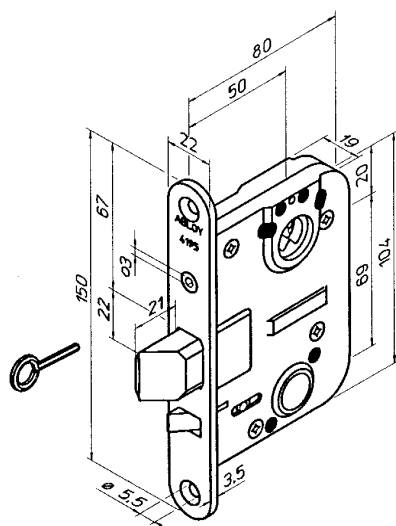
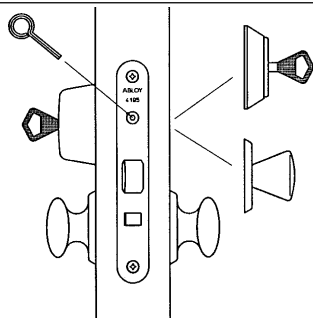
ABLOY 4195T

Cylinder lock case with automatic deadlocking latchbolt. The latchbolt can be held within the lock case and deadlocking is controlled by the insertion of an Allen key in the front plate. The lock has no lever handle function.

Deadlocking function:

TURN CLOCKWISE = Deadlocking, latchbolt protrudes 21 mm. The lock can be opened only with a key or thumbturn.

TURN ANTICLOCKWISE = Latchbolt is locked in the lock case. The door is kept closed using the door closer.

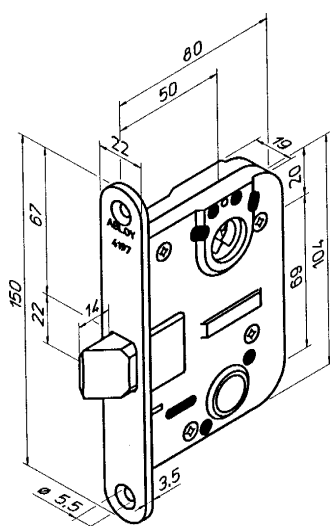
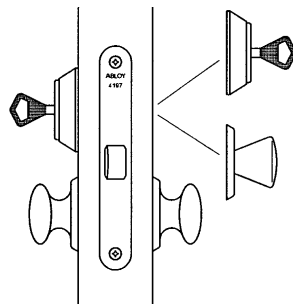


Striker plate	4690, 4691
Finish	ST/CR
Cylinder	ABLOY® FIN ABLOY® D
Mortise standard	SFS 5209 See page 29

ABLOY 4197

Cylinder lock case with cylinder function for fire doors.

The lock is opened by key or thumbturn.



Striker plate	4690, 4691
Finish	ST/CR
Cylinder	ABLOY® FIN ABLOY® D
Mortise standard	SFS 5209 See page 29

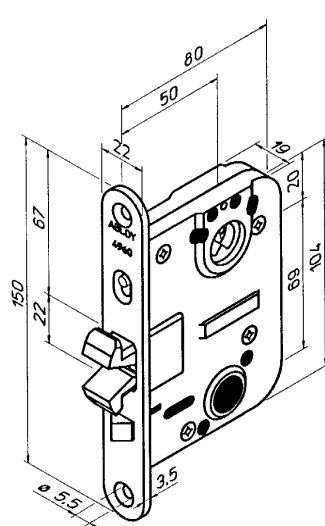
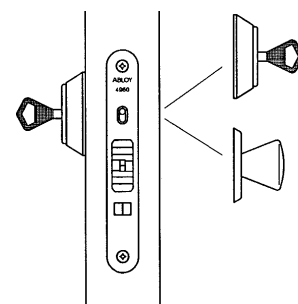
ABLOY 4960

Cylinder lock case for folding and sliding doors. Deadlocking is controlled by a snib in the front plate.

Snib position:

UP = Locks automatically when the door closes. Use key or thumbturn to open.

DOWN = Hookbolt is locked in the lock case.



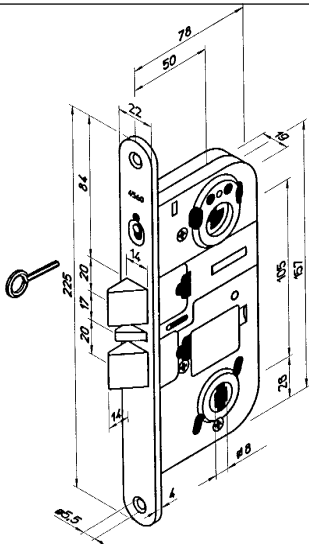
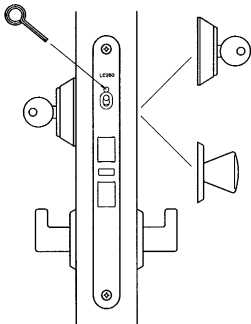
Striker plate	4662
Finish	ST/CR
Cylinder	ABLOY® FIN ABLOY® D
Mortise standard	SFS 5209 See page 29

ABLOY LC 206

Cylinder lock case with two latchbolts. The upper latchbolt automatically deadlocks when the door is closed and can be locked in the lock case using the holding latchback facility located in the front plate. The latchback can be locked in an up or down position to prevent unauthorised usage.

The latchbolt is opened by turning the key or thumbturn 90°. The lower latchbolt can also be opened by the lever handle.

LC206X is the microswitch version.



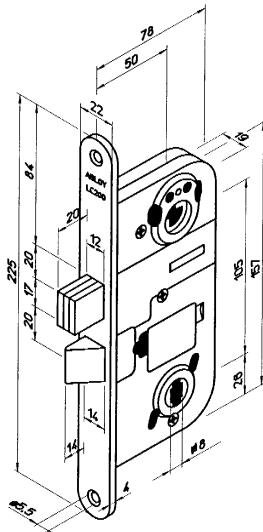
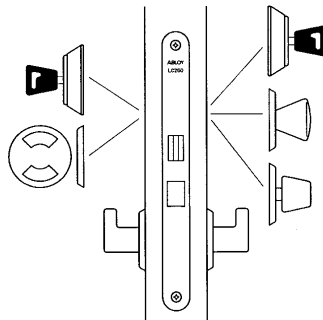
Striker plate	0034
Finish	ST/CR
Cylinder	SCAND
Mortise standard	SS 81 73 83 See page 29

ABLOY LC 200

Lockcase with deadbolt and latchbolt, 20 mm bolt throw. The deadbolt is locked and retracted by turning the key or thumbturn 90°. A further 5° turn will retract the latchbolt as well.

The latchbolt is retracted also by the lever handle.

The lock can be equipped with a microswitch.



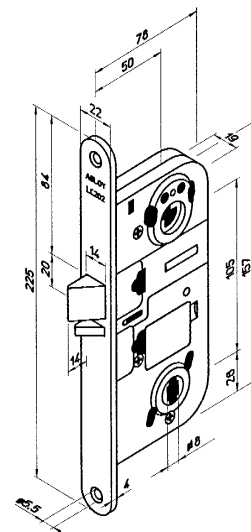
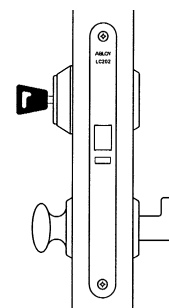
Striker plate	0034
Finish	ST/CR
Cylinder	ABLOY® D
Mortise standard	SS 81 73 83 See page 29

ABLOY LC 202

Lockcase with automatic deadlocking latchbolt and heavy duty springing.

Latchbolt is retracted from the outside by turning the key 90°, or from the inside with the lever handle.

The lock can be equipped with a microswitch.



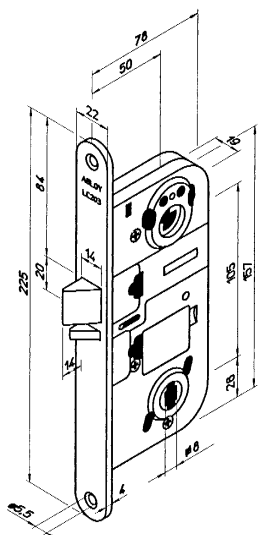
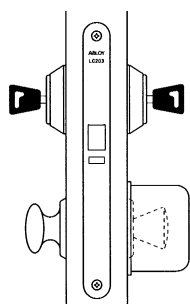
Striker plate	0034
Finish	ST/CR
Cylinder	ABLOY® D
Mortise standard	SS 81 73 83 See page 29

ABLOY LC 203

Lockcase with automatic deadlocking latchbolt for emergency exits.

Latchbolt is retracted from the outside by turning the key 90°, or from the inside by the key or the emergency exit thumbturn.

The lock can be equipped with a microswitch.



Striker plate	0034
Finish	ST/CR
Cylinder	ABLOY® D
Mortise standard	SS 81 73 83 See page 29

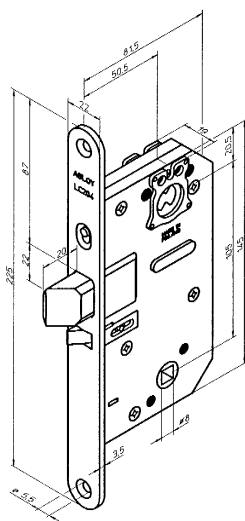
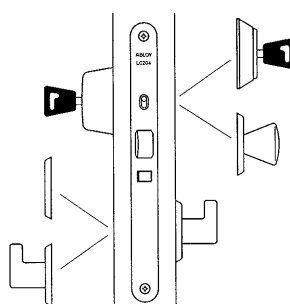
ABLOY LC 204 / ABLOY 4180

Lockcase with automatic deadlocking latchbolt. For latching function bolt is retained by depressing it into the lockcase and sliding the button on forend down.

Function is determined by sliding button on forend:

UP-position = automatic deadlocking. Operates by key (or thumbturn) from either side.

DOWN-position = lock is latched and operates also with handles.



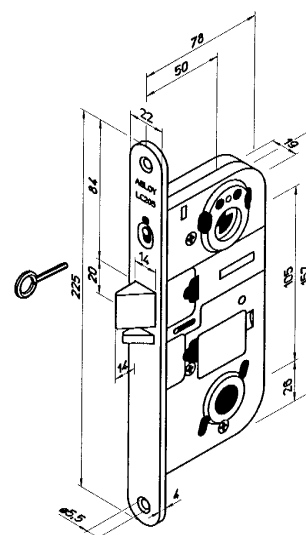
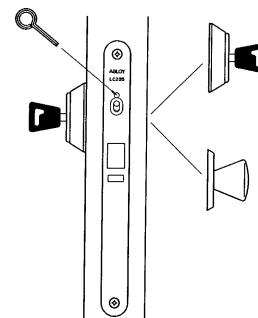
Striker plate	4690, 4691
Finish	ST/CR
Cylinder	ABLOY® FIN ABLOY® D
Mortise standard	SS 81 73 83 See page 29

ABLOY LC 205

Lockcase with automatic deadlocking latchbolt. The latchbolt can be held in the lockcase by sliding down the button in the forend. The button can be blocked in up or down position with a special key to prevent unauthorized usage.

Latchbolt is retracted from either side by turning the key or thumbturn 90°.

The lock has no lever function. The door should be equipped with a door closer and pulling handle.

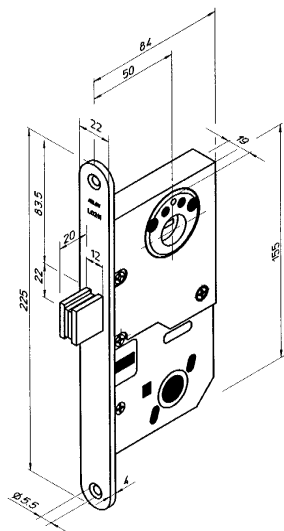
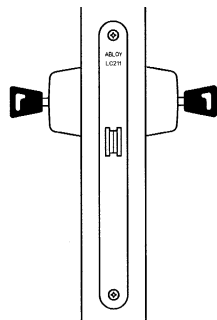


Striker plate	0034
Finish	ST/CR
Cylinder	ABLOY® D
Mortise standard	SS 81 73 83 See page 29

ABLOY LC 211

Security mortise lockcase with hardened deadbolt. The deadbolt has 20 mm bolt throw. The deadbolt is locked and retracted by turning the key or thumbturn 360°.

Microswitch version see page 3.

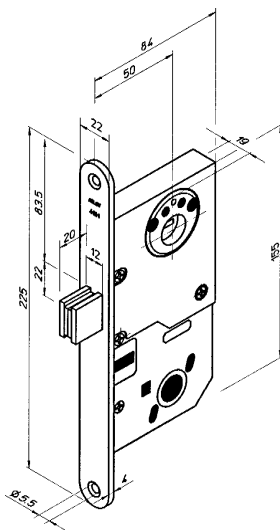
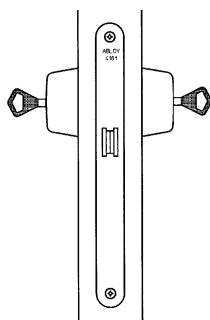


Striker plate	4690, 4691
Finish	ST/CR ST/YECLRQ
Cylinder	ABLOY® D
Mortise standard	SS 81 73 83 See page 29

ABLOY 4181

Security deadlock.

Microswitch version see page 3.



Striker plate	4690, 4691
Finish	ST/CR
Cylinder	ABLOY® FIN
Mortise standard	SS 81 73 83 See page 29

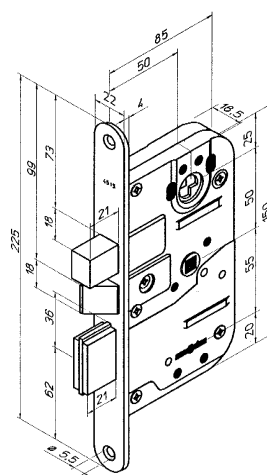
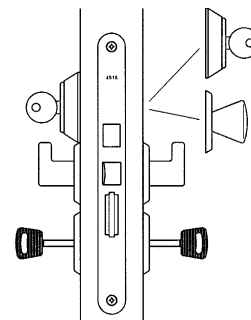
ABLOY 451 S

This lock features two deadbolts. One is controlled by a double cylinder or cylinder and thumb-turn combination. The other has 8 levers and gives 100,000 different key combinations.

The upper cylinder deadbolt protrudes 20 mm with the key retractable in both open and closed positions.

The lower lever deadbolt also has a 20 mm bolt throw. The key can only be withdrawn when the dead-bolt is fully locked or retracted.

Centre latch enables opening and closing of door using lever handles.



Striker plate	004014, 0079
Finish	ST/CR ST/EGL
Cylinder	ABLOY® D SCAND
Mortise standard	SS 81 73 83 See page 29

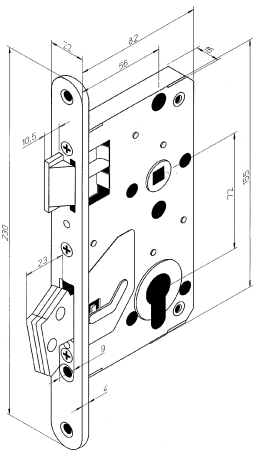
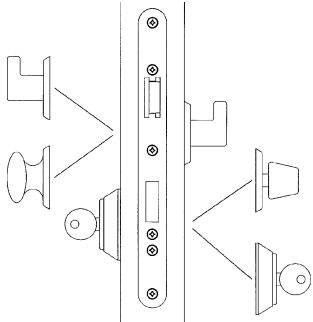
ABLOY 4272

Security lock.

The hookbolt is locked and retracted by turning the key 360°.

Lock handing can easily be changed by pushing in the latchbolt and turning it 180°.

The lock can be used with DIN standard fittings.



Striker plate LP 772, LP 773

Finish ST/CR

Cylinder Euro DIN

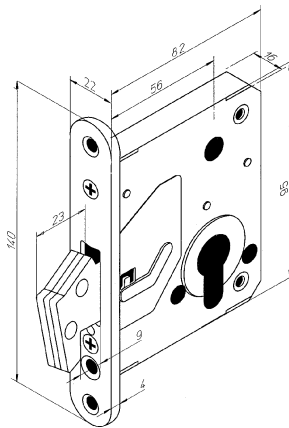
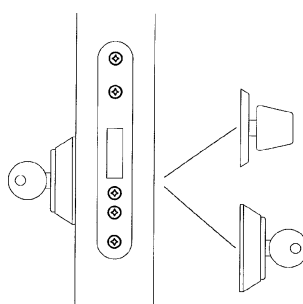
Mortise standard See page 29

ABLOY 4232

Security lock.

The hookbolt is locked and retracted by turning the key 360°.

The lock can be used with DIN standard fittings.



Striker plate 0036, 0065

Finish ST/CR

Cylinder Euro DIN

Mortise standard See page 29

BODA 428

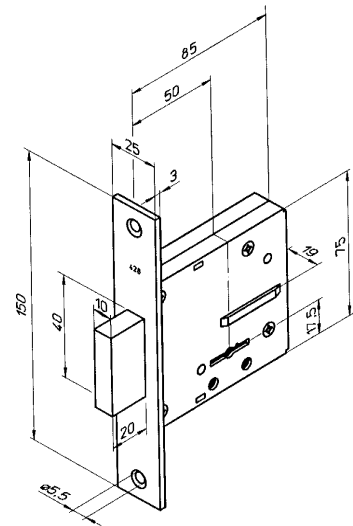
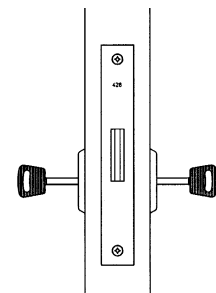
Security lock.

The lock features 8 levers to give over 100,000 different key combinations.

The key can only be withdrawn when the deadbolt is fully locked or retracted. The deadbolt protrudes 20 mm.

Microswitch version see page 3.

Can be keyed alike with BODA 2928 lock.



Striker plate 0036, 0065

Finish ST/CR

Mortise standard See page 30

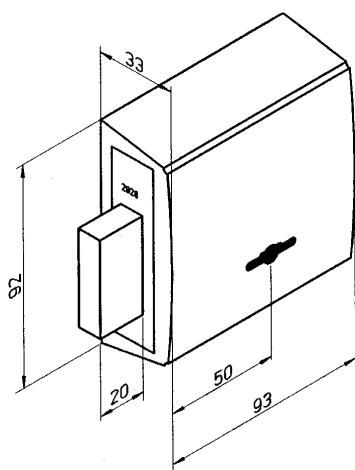
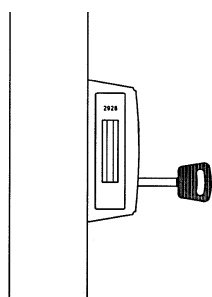
BODA 2928

Security lock for homes. The lock features 8 levers to give over 100,000 key combinations.

The lock is surface mounted and particularly suited for doors unable to accept a standard mortise lock.

The key can only be withdrawn when the deadbolt is fully locked or retracted. The deadbolt protrudes 20 mm.

Can be keyed alike with BODA 428 lock.



Striker plate	0036
Finish	PA/BLACK PA/WHITE
Mortise standard	Surface mounting

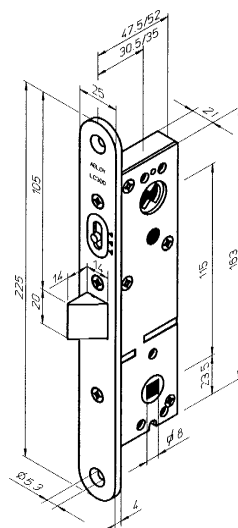
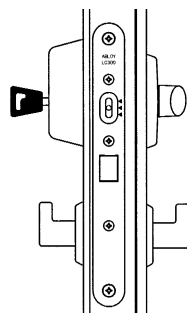
ABLOY LC 300

Non-deadlocking mortise lock for narrow stile entrance doors.

The lock is opened by key or thumbturn (or handles if in use). Can be used with electric striker plate.

The sliding button is locked in the MID-position.

Microswitch version, see page 3.



Striker plate	4613, 4614
Finish	ST/CR
Cylinder	ABLOY® FIN ABLOY® D SCAND
Mortise standard	See page 32

ABLOY LC 301

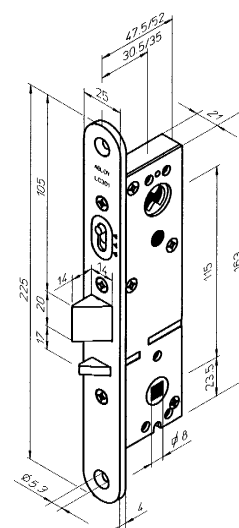
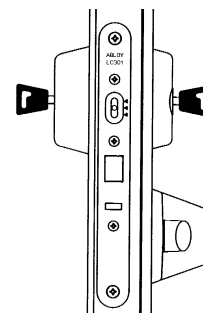
Automatic mortise deadlock for narrow stile emergency exit doors.

The lock can be opened either with a key (outside and inside) or by using the emergency thumbturn (sliding button in UP position).

Bolt can be retained inside lockcase (sliding button in DOWN position).

Sliding button is released only when turning the key.

Microswitch version, see page 3



Striker plate	4613, 4614
Finish	ST/CR
Cylinder	ABLOY® FIN ABLOY® D SCAND
Mortise standard	See page 32

ABLOY LC 302

Automatic mortise deadlock for narrow stile doors. Primarily for doors of business or commercial premises. Function is determined by sliding button on forend:

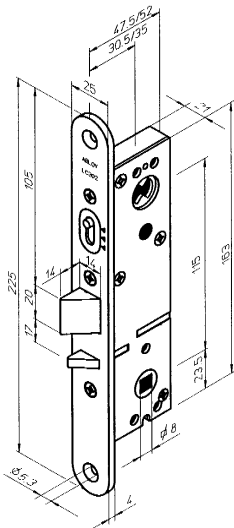
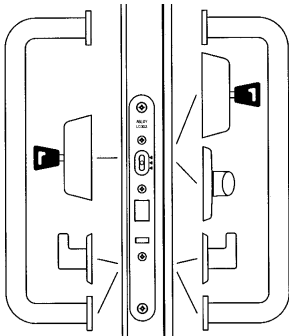
UP-position = automatic deadlocking. Opened by key from either side, or by thumbturn from inside.

MID-position = lock is latched and operates also with handles.

DOWN-position = bolt is retained inside lockcase.

Sliding button is released only when turning the key (or thumbturn).

Microswitch version, see page 3.



Striker plate 4613, 4614

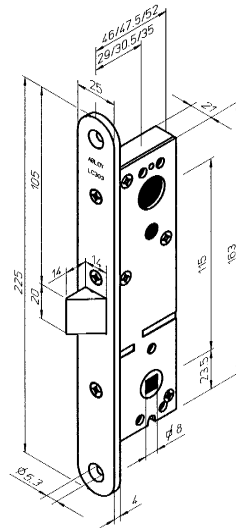
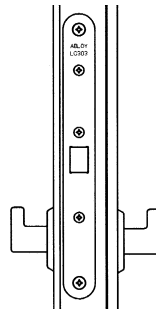
Finish ST/CR

Cylinder ABLOY® FIN
ABLOY® D
SCAND

Mortise standard See page 32

ABLOY LC 303

Mortise latch for narrow stile doors with lever function only.



Striker plate 4613, 4614

Finish ST/CR

Mortise standard See page 32

ABLOY LC 305

Automatic mortise deadlock for narrow stile doors. Primarily for doors which must always be latched (e.g. fire doors) and where deadlocking is needed. Function is determined by sliding button on forend:

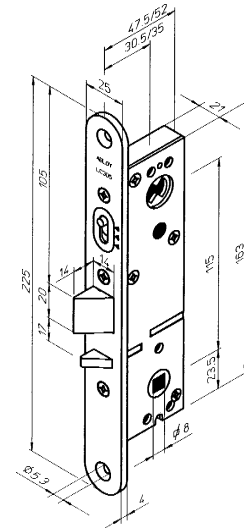
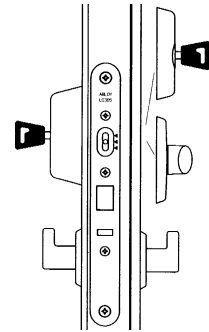
UP-position = automatic deadlocking. Operates by key (or thumbturn) from either side.

MID-position = lock is latched and operates also with handles.

DOWN-position = not in use.

Sliding button is released only when turning the key (or thumbturn).

Microswitch version, see page 3.



Striker plate 4613, 4614

Finish ST/CR

Cylinder ABLOY® FIN
ABLOY® D
SCAND

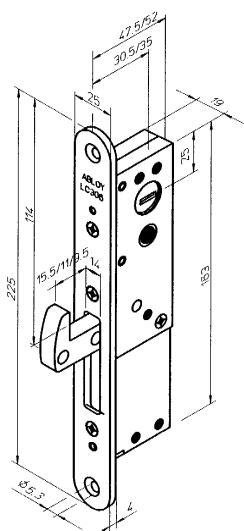
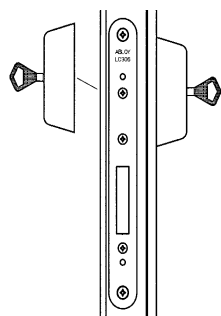
Mortise standard See page 32

ABLOY LC 306

Mortise deadlock for narrow stile doors with key operated hook deadbolt. Operates with key from either side with double cylinder, or from one side only with single cylinder.

Key is removable only in both locked and unlocked position.

Microswitch version, see page 3.



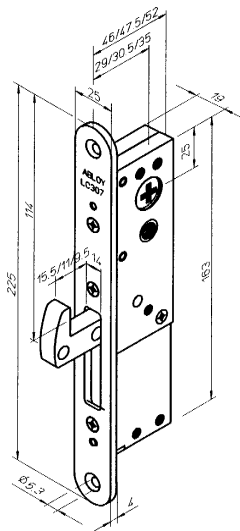
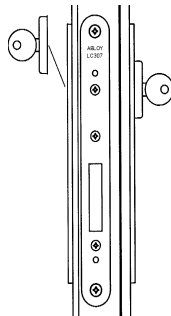
Striker plate	4655
Finish	ST/CR
Cylinder	ABLOY® FIN
Mortise standard	See page 32

ABLOY LC 307

Mortise deadlock for narrow stile doors with key operated hook deadbolt. Operates with key from either side with double cylinder, or from one side only with single cylinder.

Key is removable only in both locked and unlocked position.

Microswitch version, see page 3.



Striker plate	4655
Finish	ST/CR
Cylinder	ABLOY® D SCAND
Mortise standard	See page 32

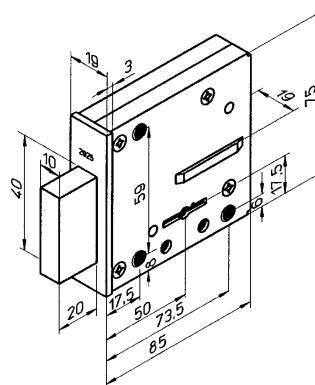
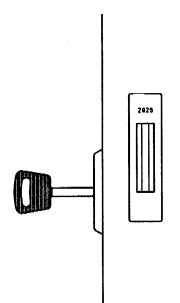
ABLOY 2925

Lock case approved by the Swedish Standards Association (SIS) under standards SS 3492 and SS 3493 for gun cabinets and safes.

The lock features 8 levers to give over 500,000 different key combinations.

The key can only be withdrawn when the deadbolt is fully locked. The deadbolt protrudes 20 mm.

2925 is fixed through the case.



Striker plate	-
Finish	ST/ZN
Mortise standard	-

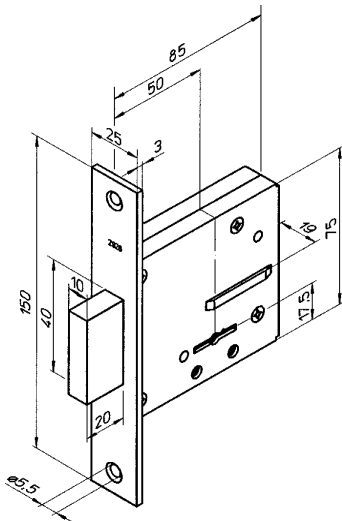
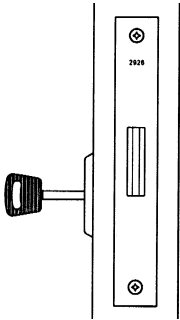
ABLOY 2926

Lock case approved by the Swedish Standards Association (SIS) under standards SS 3492 and SS 3493 for gun cabinets and safes.

The lock features 8 levers to give over 500,000 different key combinations.

The key can only be withdrawn when the deadbolt is fully locked.
The deadbolt protrudes 20 mm.

2926 is fixed through the forend.



Striker plate	-
Finish	ST/ZN
Mortise standard	-

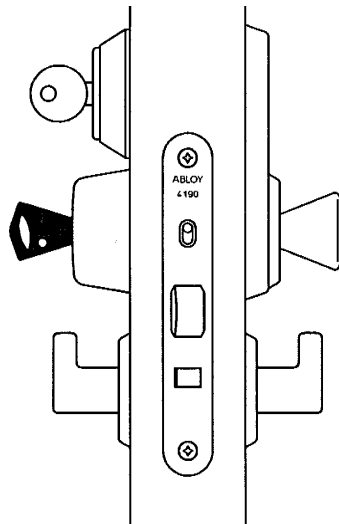
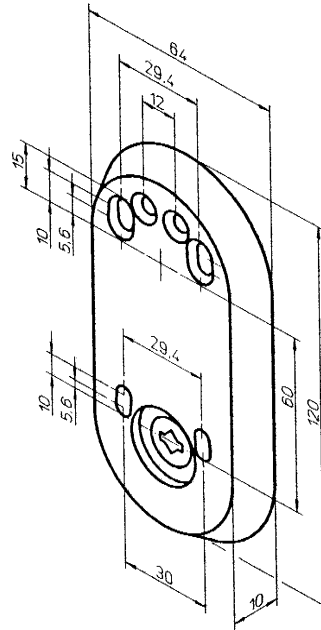
TRANSFER DEVICE 518

The BODA 518 transfer device can be used to combine two different locking systems.

The device is suitable for locking electricity control rooms or similar premises.

The device can be used to combine ABLOY® FIN and ABLOY® D with SCAND cylinders.

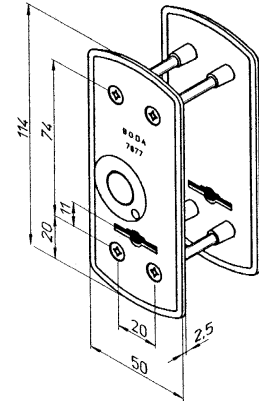
Finish: CR



NB. Fittings to be ordered separately.

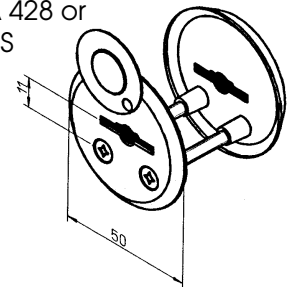
SECURITY COVER PLATES BODA 7677

For BODA 428. These plates protect the lock case and reinforce the door against break-ins.



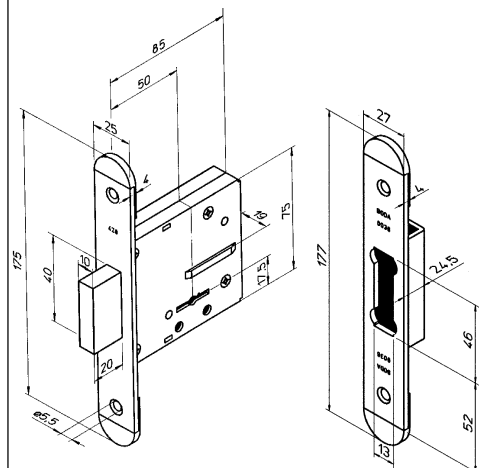
SECURITY COVER PLATES BODA 113

These plates are suitable for use with BODA 428 or BODA 451 S security locks.



FRONT PLATES

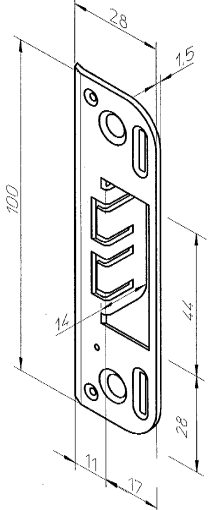
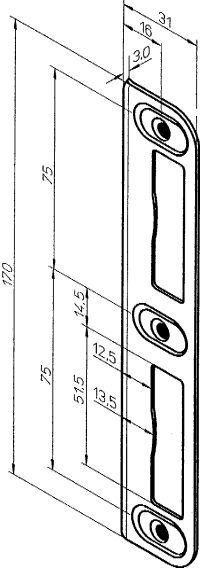
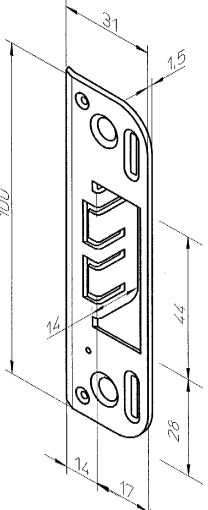
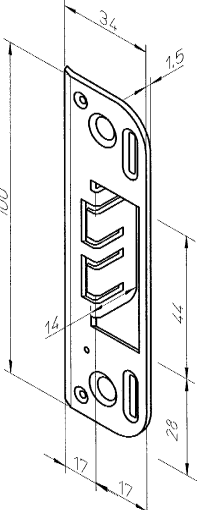
The front plates cover the tooling marks left by the miller when making the mortise.

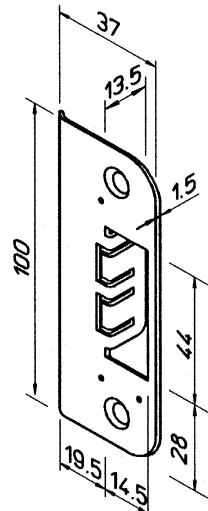
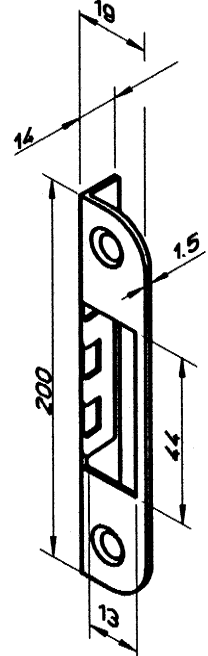
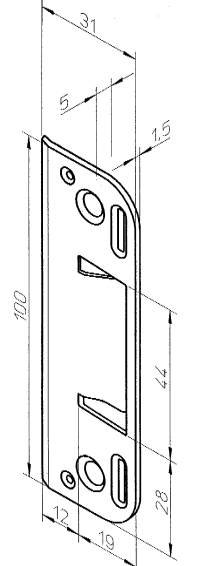
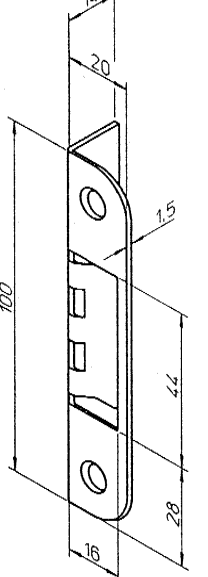


401664 = for lock case 428
Finish: ABS/CR

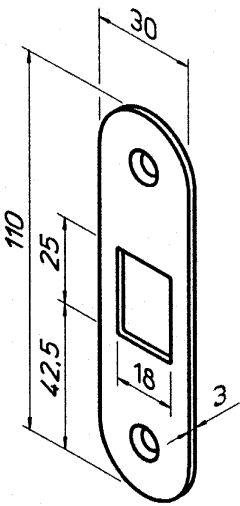
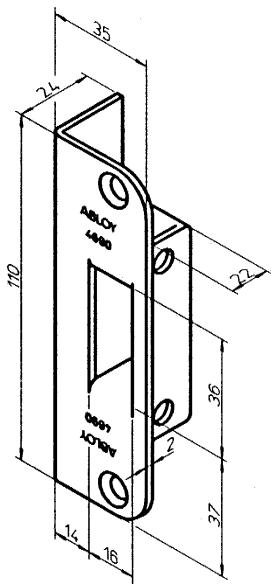
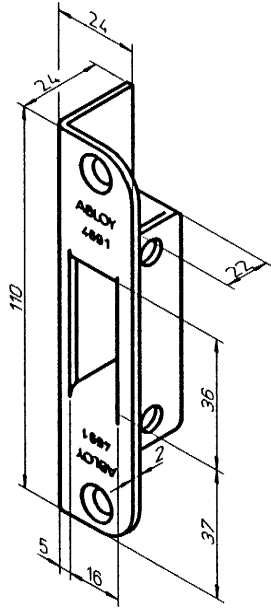
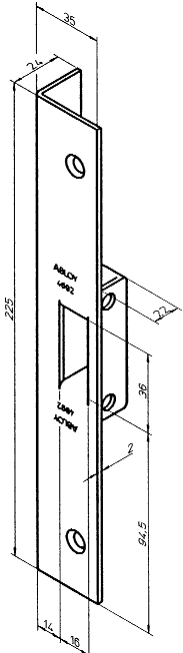
401666 = for striker plate 0036

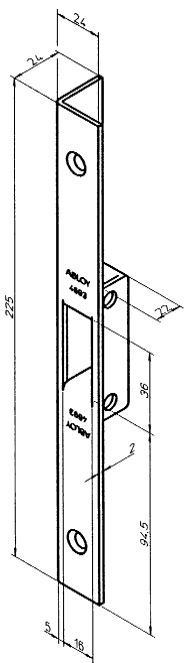
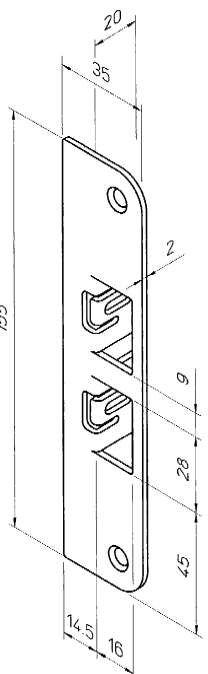
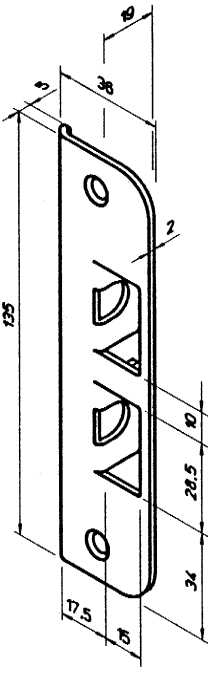
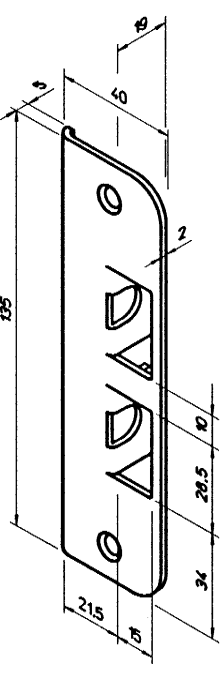
STRIKER PLATES FOR INTERIOR DOORS

0028	0029	0045	0049
<p>35 mm flush doors</p> 	<p>40 mm flush doors</p> 	<p>40 mm flush doors</p> 	<p>44 mm flush doors</p> 

4670	0068	0046	0078
<p>44 mm flush doors, when edge of striker plate comes over door edge</p> 	<p>rebated doors</p> 	<p>flush doors with a ABLOY 4238 roller latch</p> 	<p>rebated doors with a ABLOY 4238 roller latch</p> 

STRIKER PLATES FOR WOODEN DOORS

4662	4690	4691	4692
<p>is used with a ABLOY 4249 hookbolt lock</p> 	<p>flush doors</p> 	<p>rebated doors</p> 	<p>flush doors</p> 

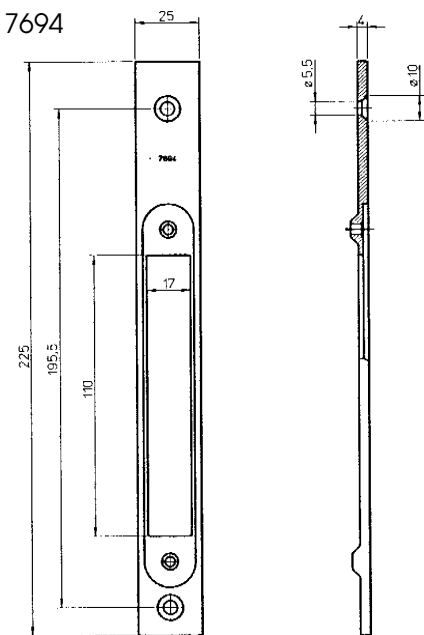
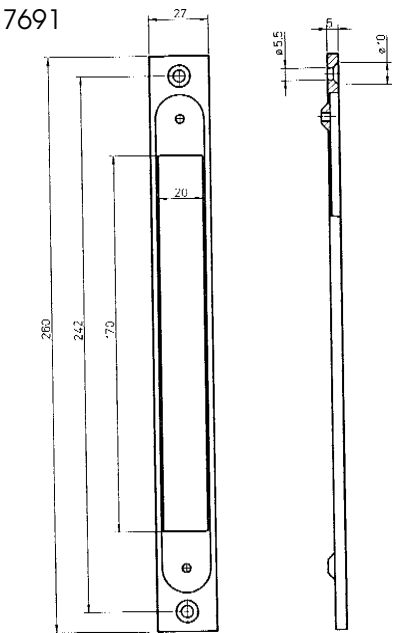
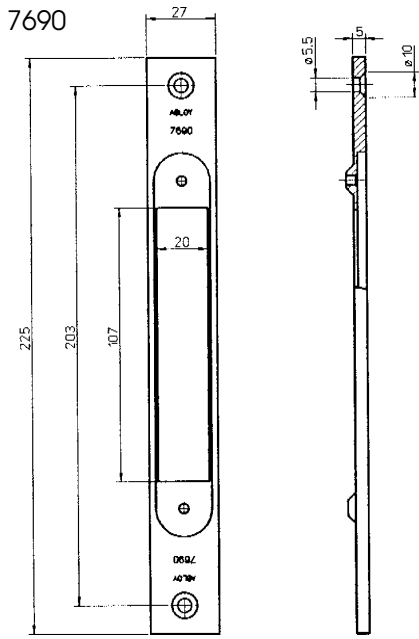
4693	0034	003136	003140
<p>rebated doors</p> 	<p>flush doors</p> 	<p>flush doors</p> 	<p>flush doors</p> 

STRIKER PLATES FOR WOODEN DOORS

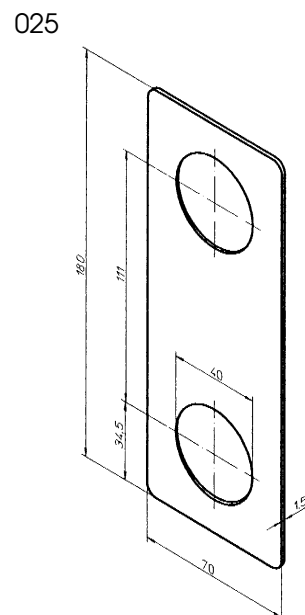
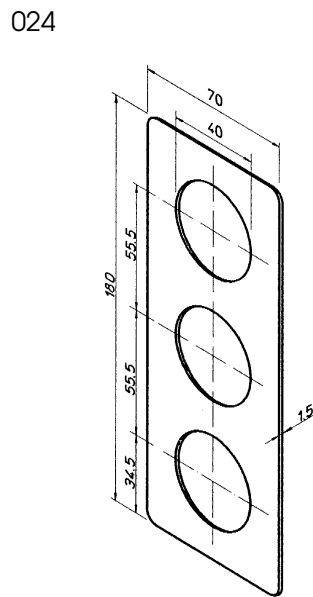
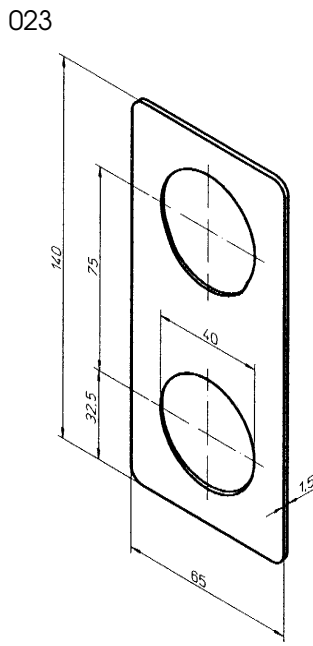
4667	004012	004014	004020	0079
<p>rebated doors MDF-frame</p>	<p>flush doors</p>	<p>flush doors</p>	<p>flush doors</p>	<p>rebated doors</p>

4669	0036	0065	LP 744
<p>rebated doors wooden frame</p>	<p>flush doors</p>	<p>rebated doors</p>	<p>LP 744</p>

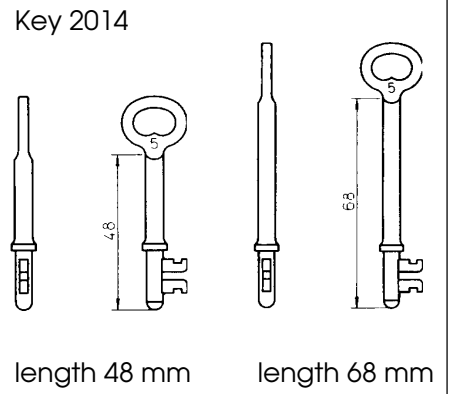
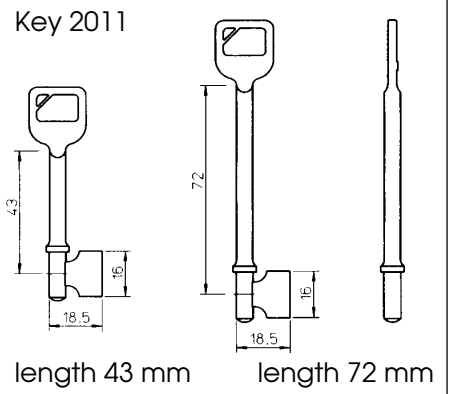
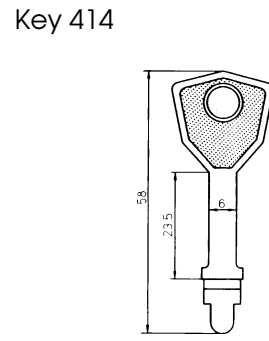
COVER FRONT PLATES



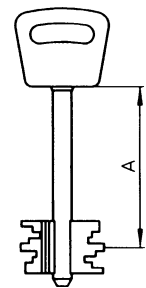
COVER PLATES



KEYS



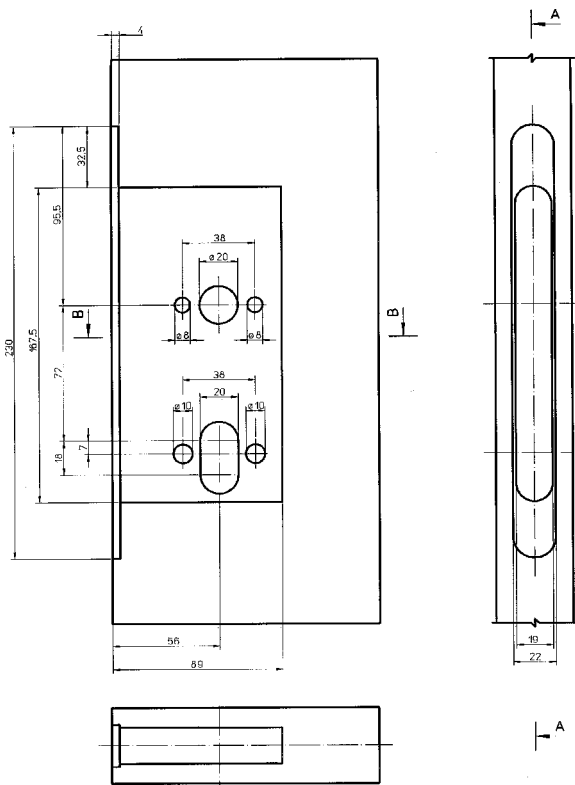
Key 428, 451S, 2925, 2926, 2928



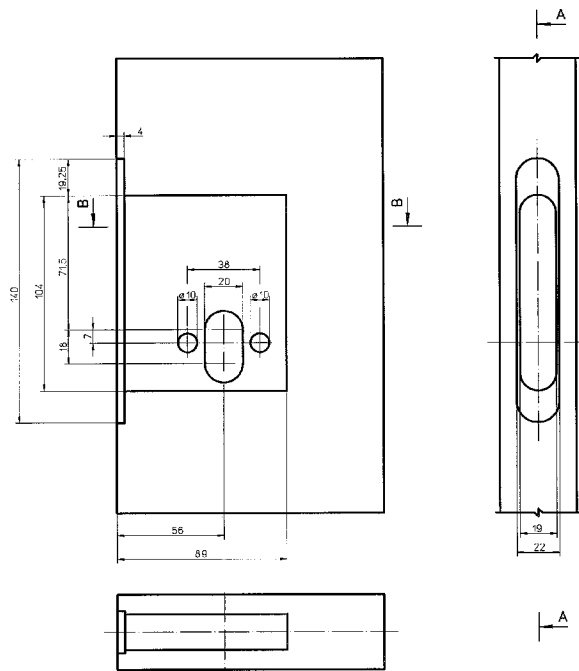
lengths 43 mm, 53 mm, 69 mm

MORTISES IN WOODEN DOORS

ABLOY 4272

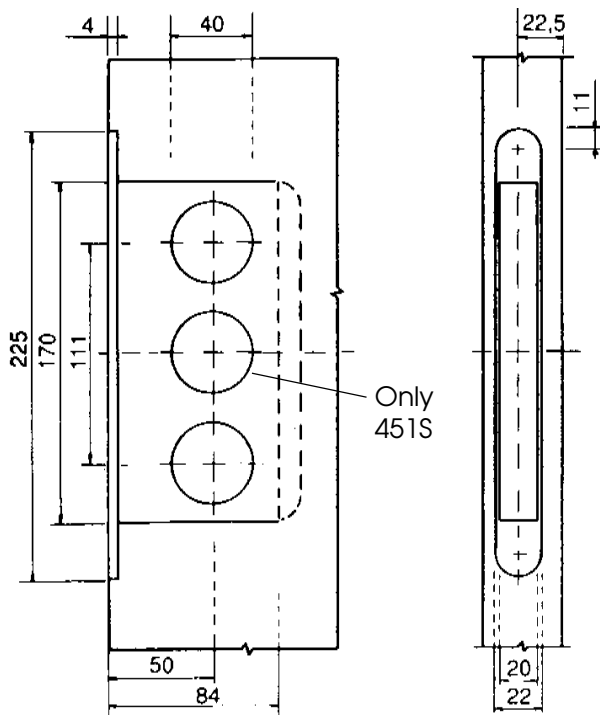


ABLOY 4232



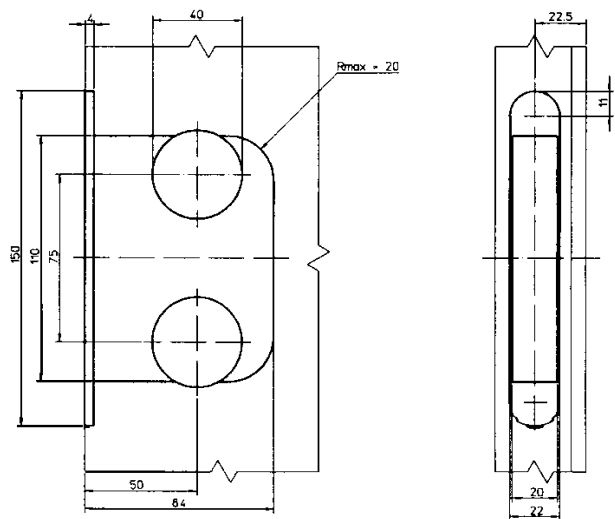
SS 81 73 83
SFS 5208
NS 3155

Lateral drilling depends on individual lock.



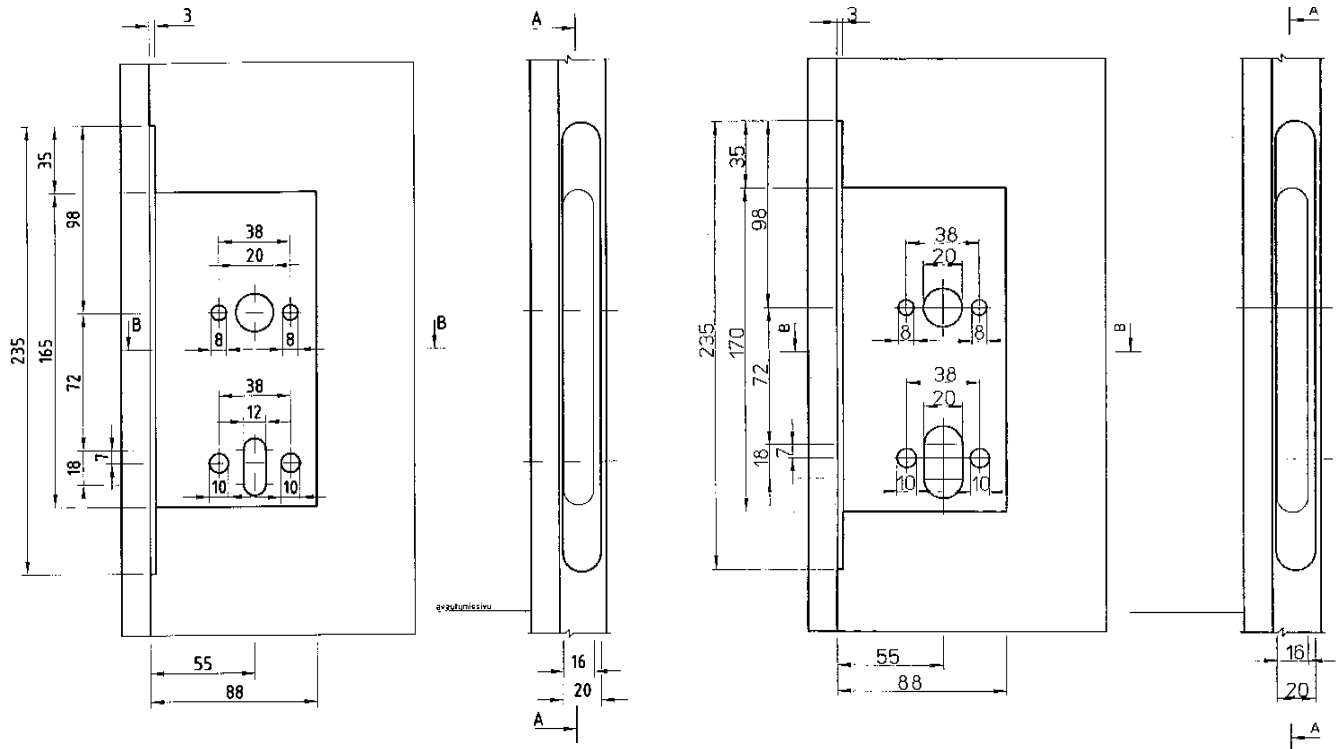
SFS 5209

Lateral drilling depends on individual lock.

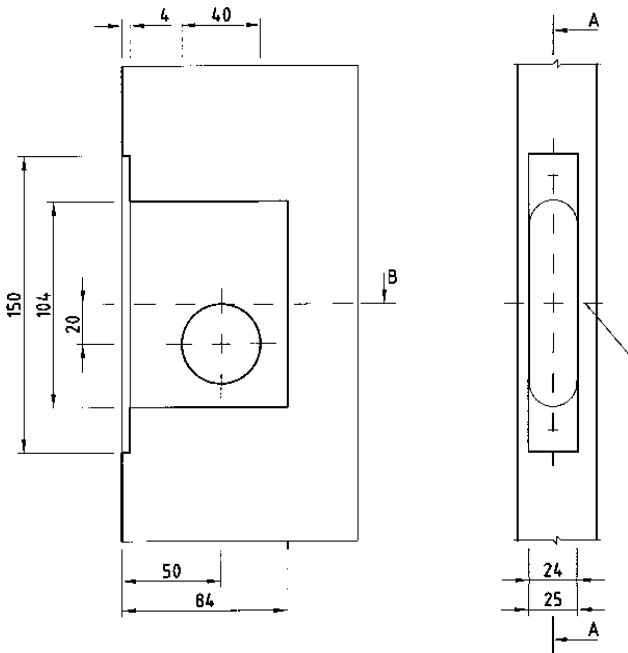


MORTISES IN WOODEN DOORS

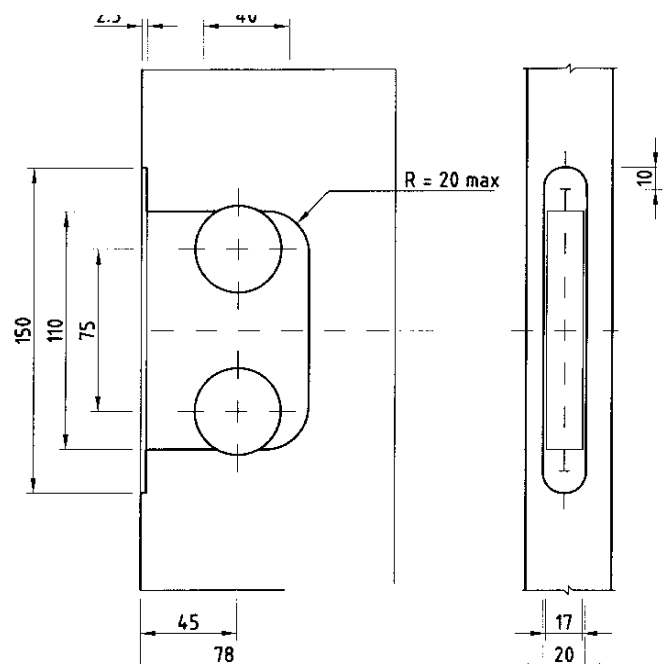
ABLOY 4240, 4241, 4261, 4281, 4242



BODA 428

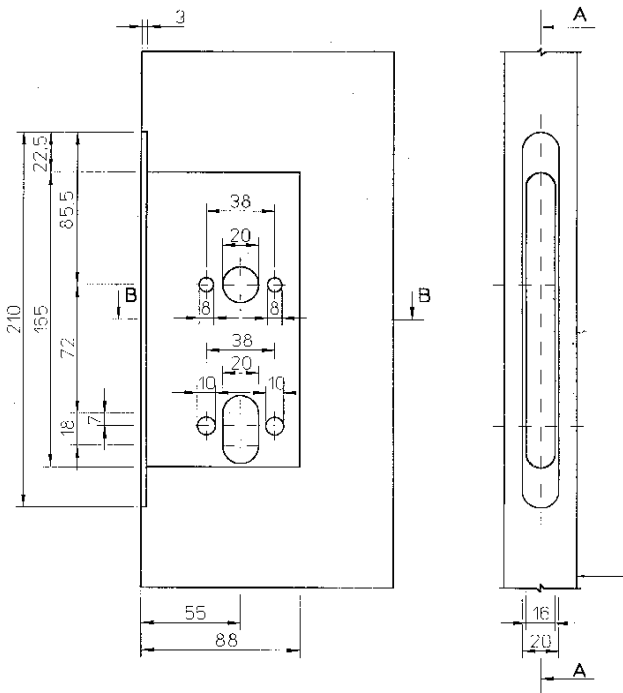


SFS 5210
SS 81 73 82
NS 3154

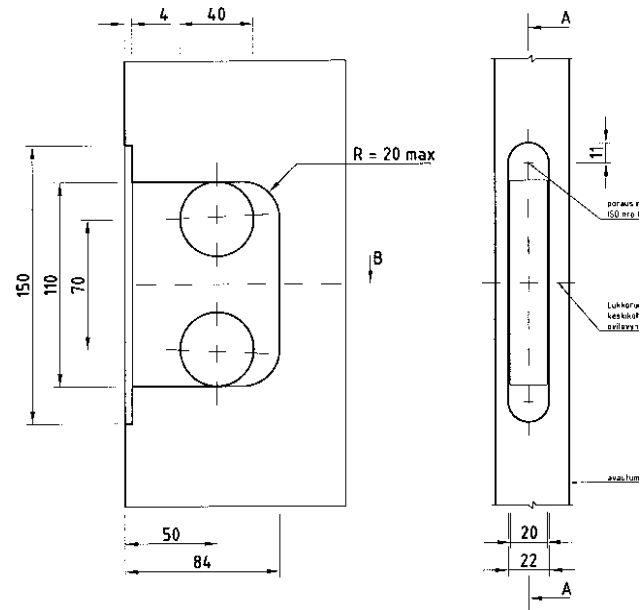


The drawings in this catalogue are available at www.boda.fi

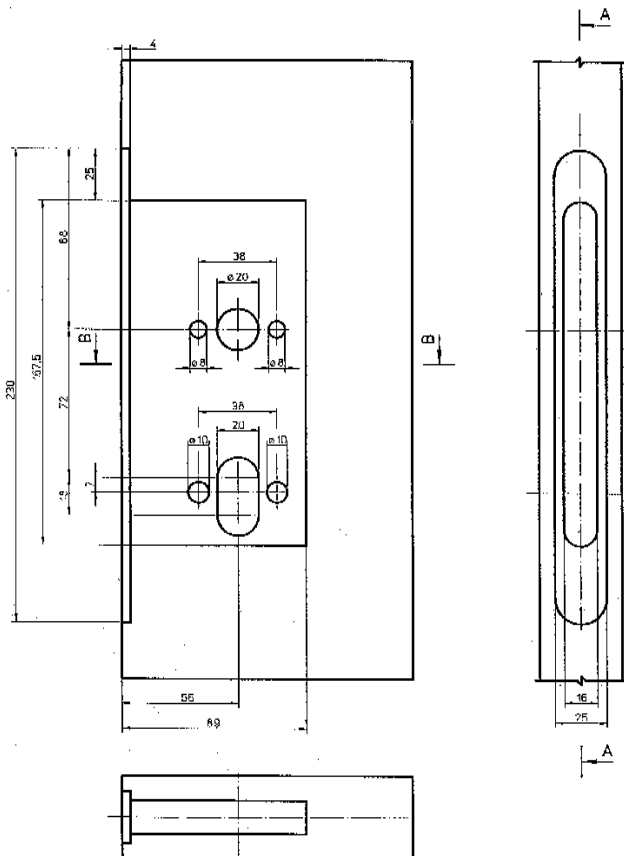
ABLOY 4250, 4252, 4262



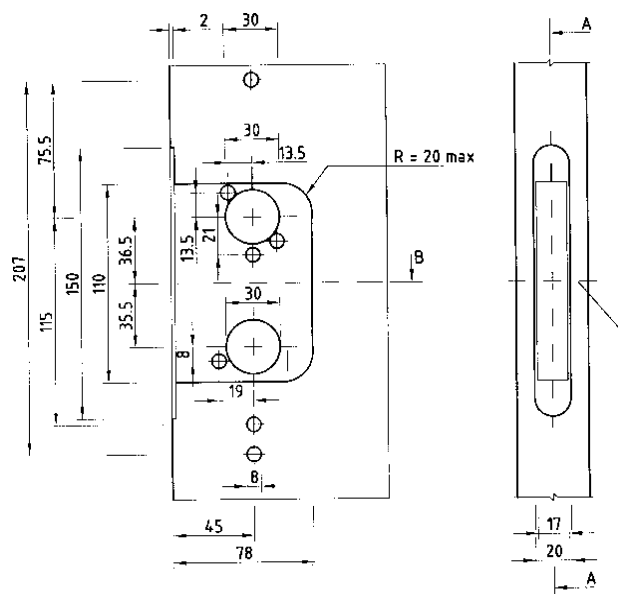
ABLOY 4291



ABLOY 4230, 4231



ABLOY 2014 with DIN fittings

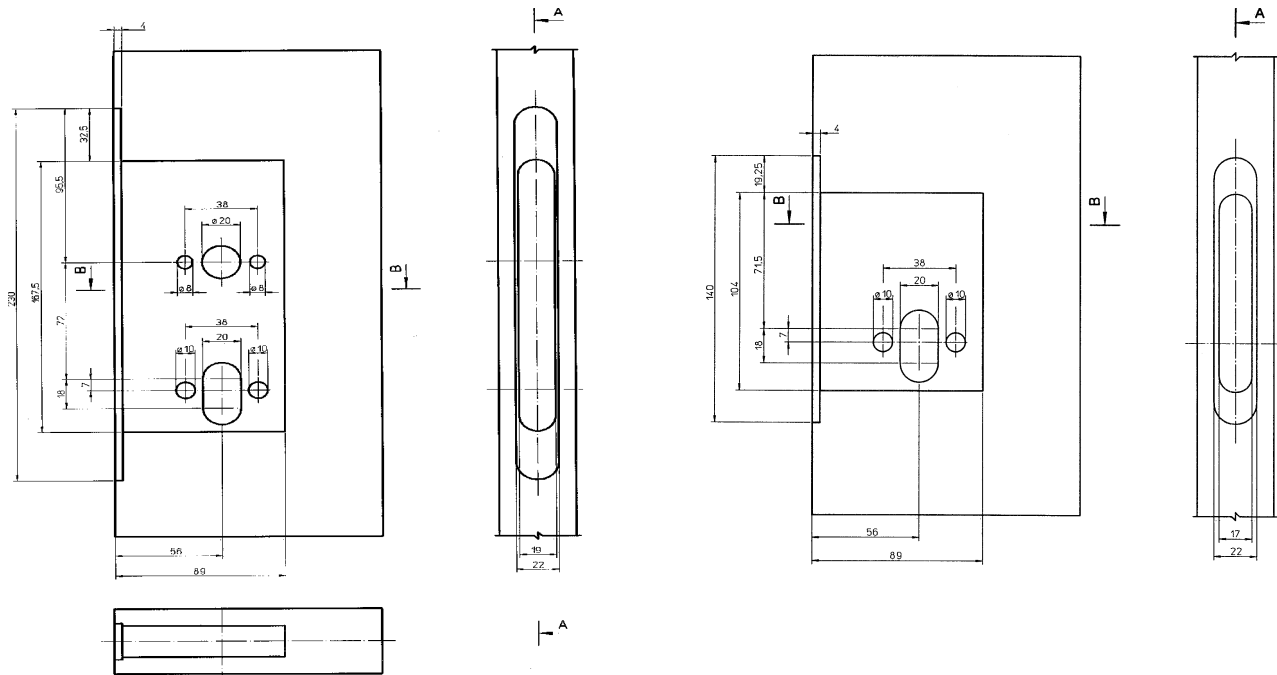


The drawings in this catalogue are available at www.boda.fi

MORTISES IN WOODEN DOORS

ABLOY 4272

ABLOY 4232

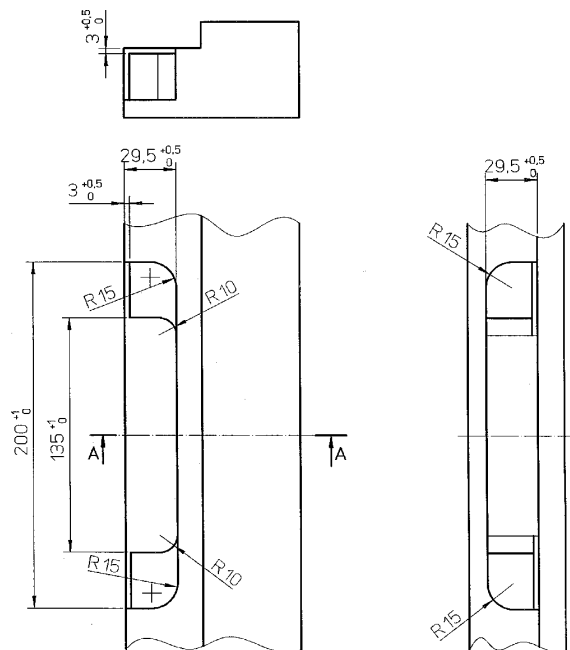
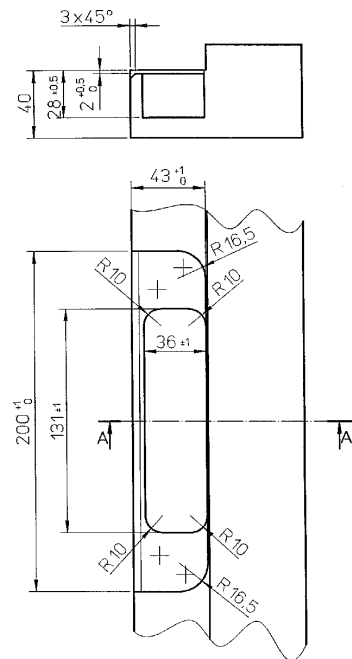
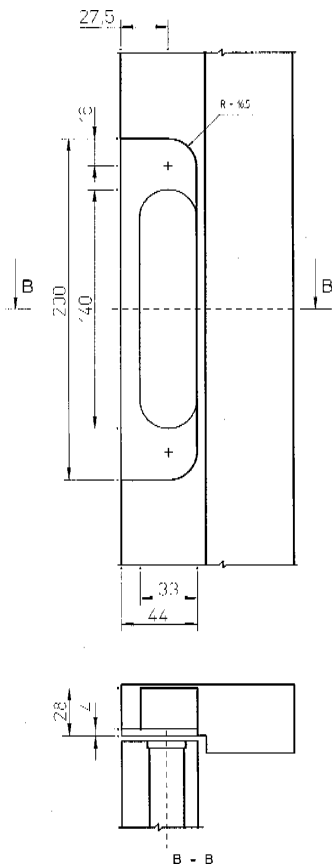


STRIKER PLATES LP744, LP773 AND LP772

ABLOY LP 744

ABLOY LP 772

ABLOY LP 773





Björkboda Lås Oy Ab is a member of ASSA ABLOY Group, the leading international manufacturer of locksmith and associated security products. Björkboda manufactures a wide range of ABLOY® cylinder locks, locks for internal doors and safety locks for external doors. Marketing is mainly directed within Finland and Scandinavia, the Baltic countries and Eastern and Central Europe. The unrelenting research and development work, and the modern plant makes it possible to offer top-quality products, and to guarantee speedy and flexible deliveries.



Björkboda Lås Oy Ab
FIN-25860 BJÖRKBODA, FINLAND
Tel. +358 2 424 402. Fax +358 2 424 249
www.boda.fi

BJÖRKBODA

An ASSA ABLOY Group company

The ASSA ABLOY Group is the world's leading manufacturer and supplier of locks and associated products, dedicated to satisfying end-user needs for security, safety and convenience.